



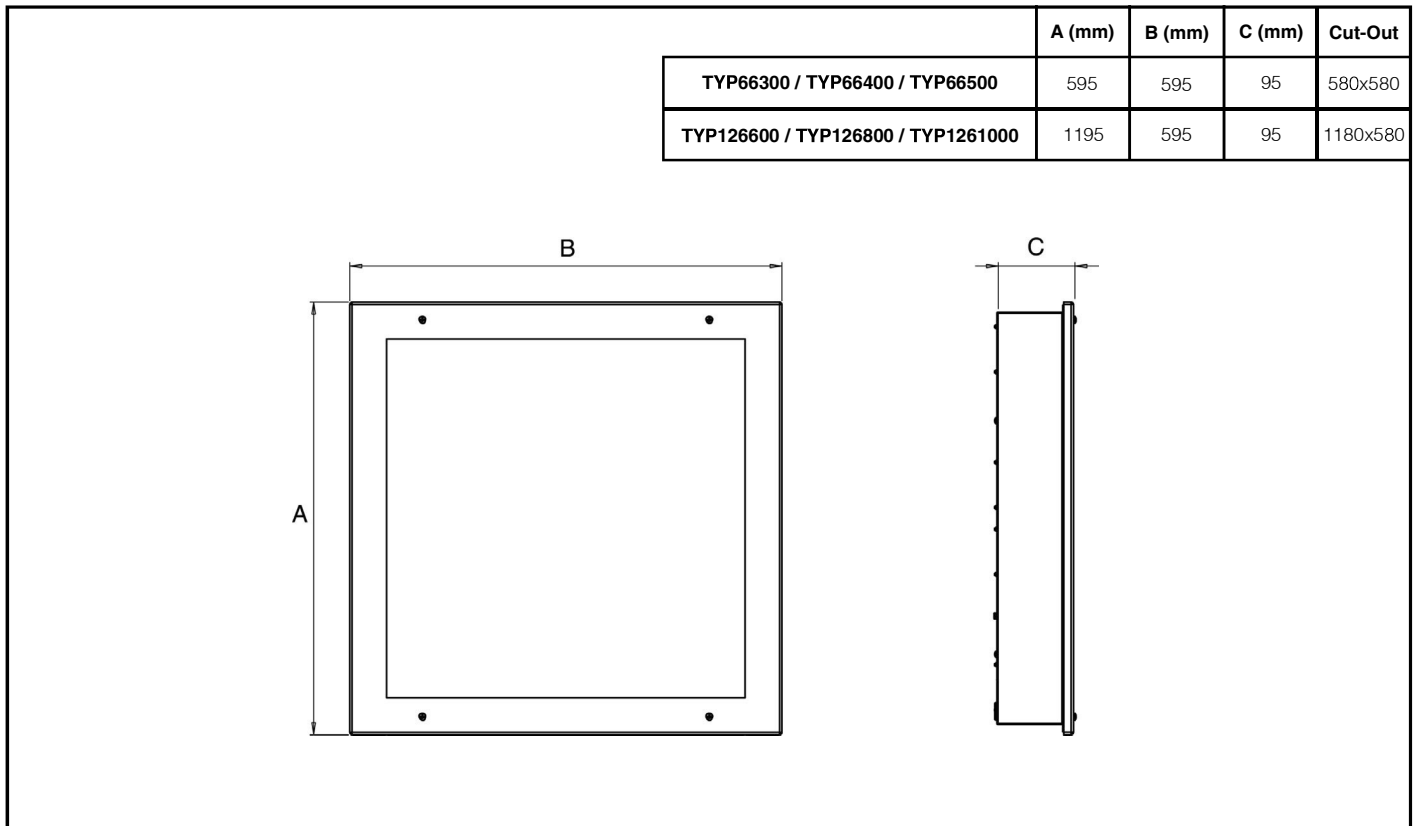
Product Name: TYPHOON

General information

- This luminaire must be installed in accordance with the latest edition of the IET Wiring Regulations and local Building Regulation by a qualified competent person.
- The mains power supply must be turned off before inspection, installation or removal of the luminaire, ensuring that the supply is locked off to prevent inadvertently switching the supply on.
- It is the installer's responsibility to ensure that the installation is suitable for the total load of the luminaire(s). The supply cable fuses/circuit breakers must be correctly rated for the electrical load and taking into account for any transient inrush currents that may occur.
- It is the installer's responsibility to ensure that the environmental operating and storage conditions are complied with and that any fire risks are considered.
- Do not perform insulation strength or insulation resistance tests on the installation with the luminaire(s) connected, this can damage the luminaires and give erroneous readings.
- Do not loop-in supply cables at the luminaire supply terminals unless there is provision for 2-way connection at the terminals.
- The light source contained in this luminaire must only be replaced by TamLite Lighting or an appointed service agent.
- Emergency lighting luminaires must be installed and maintained in accordance with the emergency lighting standard BS 5266-1.
- To ensure that the product warranty remains valid, the luminaire must be installed and maintained in accordance with these installation instructions and the product must not be modified in any way.

- Luminaires marked with this symbol must not be covered with thermally insulating material.
- This symbol on covers over light sources indicates dangerous live parts do not operate the luminaire with this cover removed.

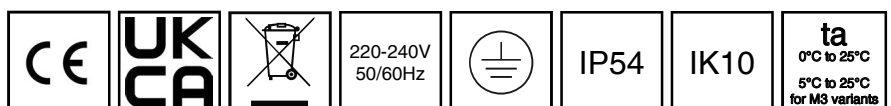
Dimensions



Page 1 of 7

Tamlite Technical
Stafford Park 12,
Telford, Shropshire,
TF3 3BJ

+44(0)1952 292441
technical@tam-lite.co.uk
Document No: V1



Product Name: TYPHOON - LAY IN INSTALLATION

<p>1</p> <p>Remove the product from its packaging. Remove the product from its packaging.</p>	<p>2</p> <p>Bring incoming supply cable to the intended luminaire position.</p>
<p>3</p> <p>Release the catch on the power inlet flap and open to access the terminals.</p>	<p>4</p> <p>Bring supply cable through the power flap and integrated cable grip.</p>
<p>5</p> <p>Terminations shown for standard and emergency variants.</p>	<p>6</p> <p>Terminations shown for DALI dimmable and DALI emergency variants.</p>
<p>7</p> <p>Close power flap and latch in to place.</p>	<p>8</p> <p>Position luminaire below intended installation position.</p>

Page 2 of 7

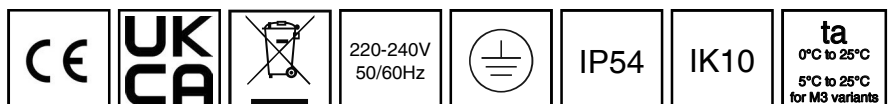
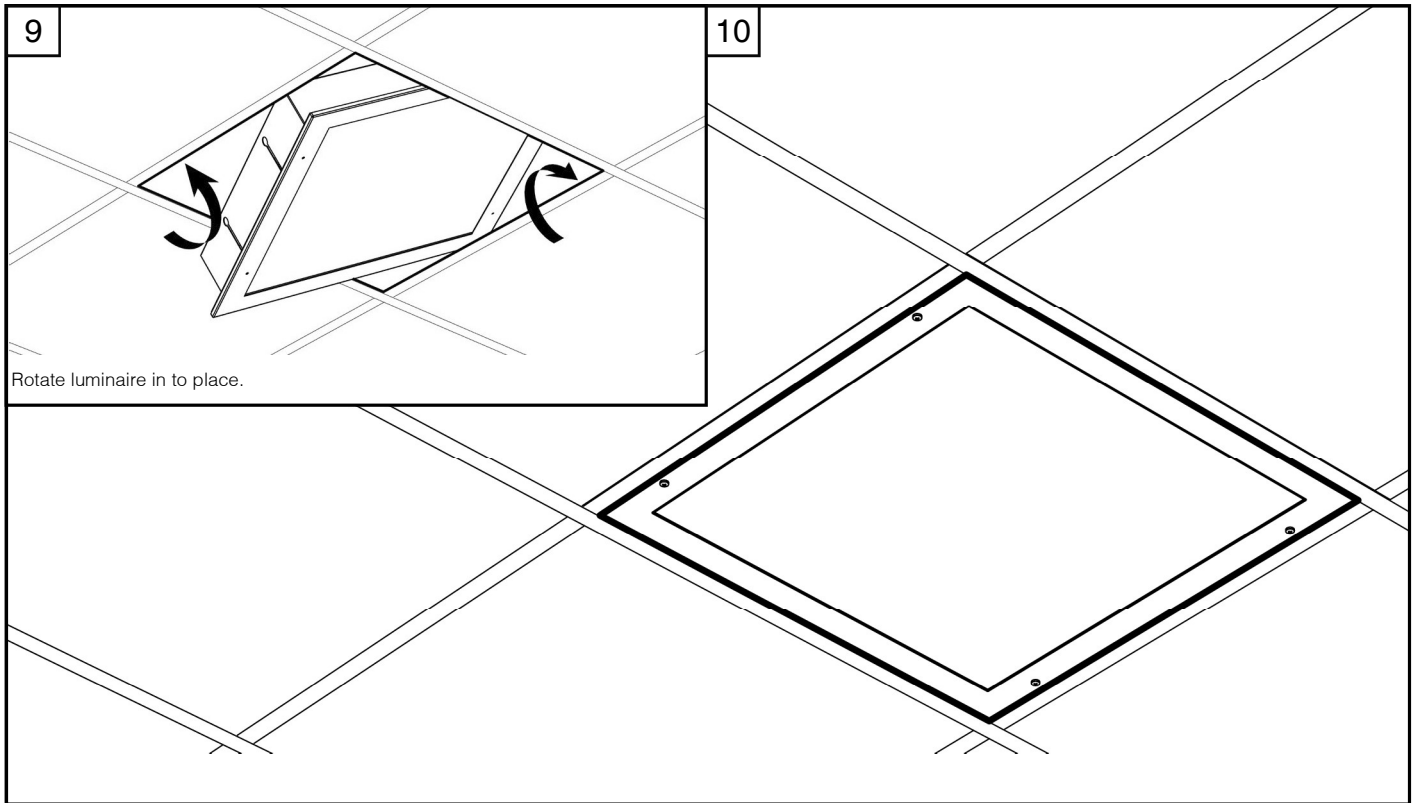
Tamlite Technical
 Stafford Park 12,
 Telford, Shropshire,
 TF3 3BJ

+44(0)1952 292441
 technical@tamlite.co.uk
 Document No: V1

			220-240V 50/60Hz		IP54	IK10	ta 0°C to 25°C 5°C to 25°C for M3 variants
--	--	--	---------------------	--	------	------	---



Product Name: TYPHOON - LAY IN INSTALLATION



Product Name: TYPHOON - LUMAFIX INSTALLATION

<p>1</p> <p>Remove the product from its packaging.</p>	<p>2</p> <p>Remove the diffuser frame from the luminaire.</p>
<p>3</p> <p>Bring incoming supply cable to the intended luminaire position.</p>	<p>4</p> <p>Release the catch on the power inlet flap and open to access the terminals.</p>
<p>5</p> <p>Bring supply cable through the power flap and integrated cable grip.</p>	<p>6</p> <p>Terminations shown for standard and emergency variants.</p>
<p>7</p> <p>Terminations shown for DALI dimmable and DALI emergency variants.</p>	<p>8</p> <p>Close power flap and latch in to place.</p>

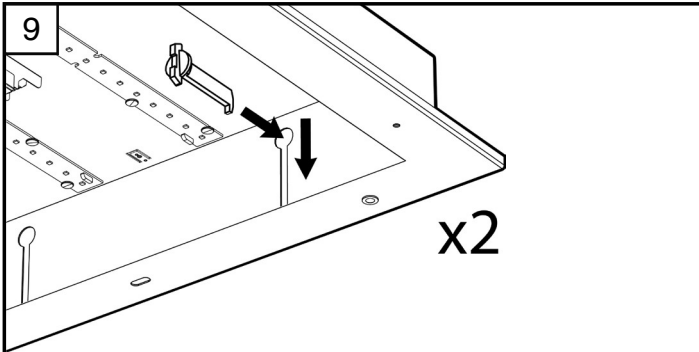
Page 4 of 7

Tamlite Technical
Stafford Park 12,
Telford, Shropshire,
TF3 3BJ

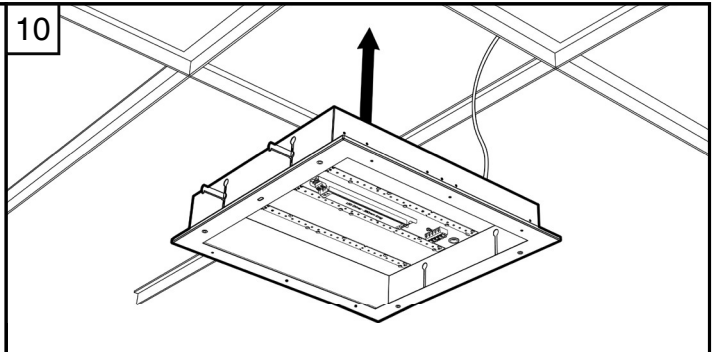
+44(0)1952 292441
technical@tamlite.co.uk
Document No: V1

			220-240V 50/60Hz		IP54	IK10	ta 0°C to 25°C 5°C to 25°C for M3 variants
--	--	--	---------------------	--	------	------	---

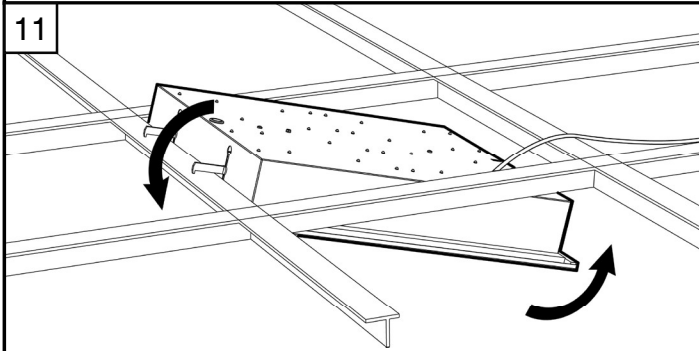
Product Name: TYPHOON - LUMAFIX INSTALLATION



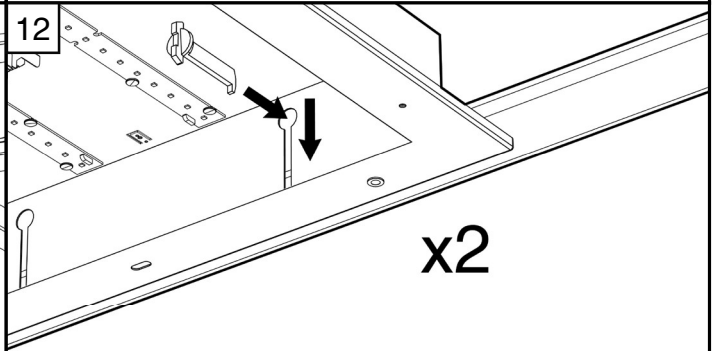
Insert two lumafix brackets in to one side of the luminaire only.



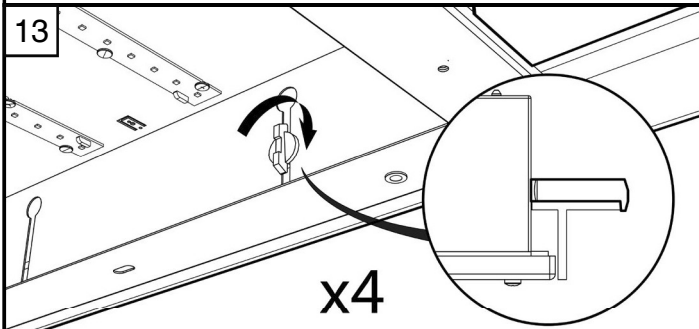
Position luminaire below intended installation position.



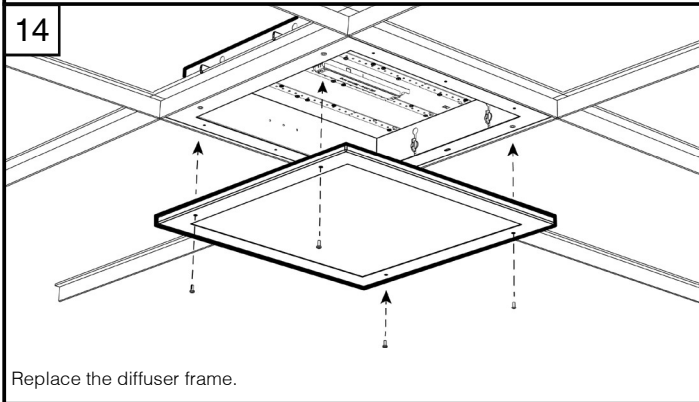
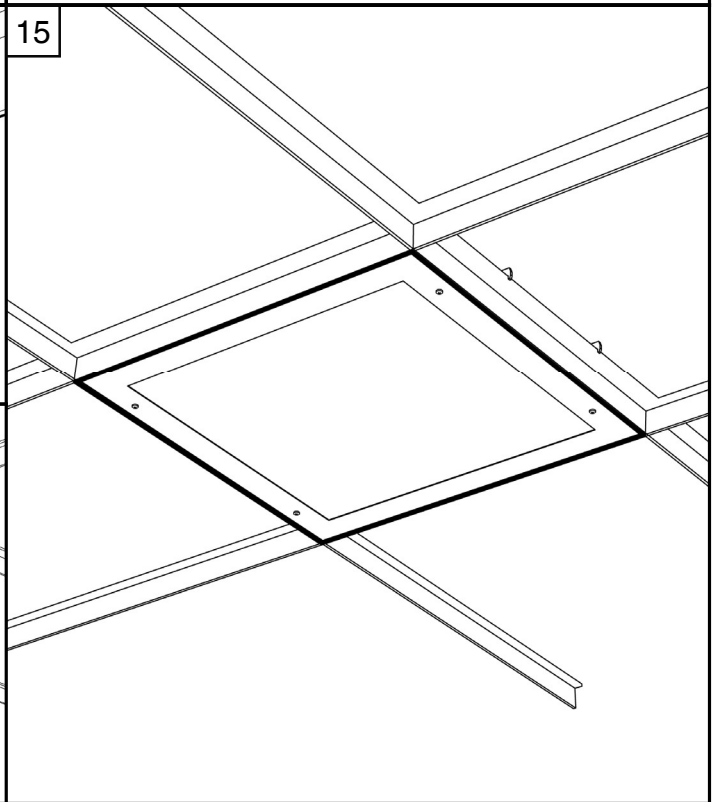
Place the brackets on to the ceiling frame and rotate the luminaire in to place.



Insert the second pair of lumafix brackets and slide down on to the ceiling frame.



Adjust the brackets until the panel sits flush then rotate the caps to lock it in place



Replace the diffuser frame.

Page 5 of 7

Tamlite Technical
 Stafford Park 12,
 Telford, Shropshire,
 TF3 3BJ

+44(0)1952 292441
 technical@tamllite.co.uk
 Document No: V1

			220-240V 50/60Hz		IP54	IK10	ta 0°C to 25°C 5°C to 25°C for M3 variants
--	--	--	---------------------	--	------	------	---

Product Name: TYPHOON - PLASTERBOARD INSTALLATION

<p>1</p> <p>Remove the product from its packaging.</p>	<p>2</p> <p>Remove the diffuser frame from the luminaire.</p>
<p>3</p> <p>Prepare a suitable opening with supporting battens.</p>	<p>4</p> <p>Mark and drill six holes through the mounting surface into the support battens.</p>
<p>5</p> <p>Release the catch on the power inlet flap and open to access the terminals.</p>	<p>6</p> <p>Bring supply cable through the power flap and integrated cable grip.</p>
<p>7</p> <p>Terminations shown for standard and emergency variants.</p>	<p>8</p> <p>Terminations shown for DALI dimmable and DALI emergency variants.</p>

